

PARTS LIST

CAUTION

- The parts identified by the \triangle symbol are important for the safety. Whenever replacing these parts, be sure to use specified ones to secure the safety.
- The parts not indicated in this Parts List and those which are filled with lines — in the Parts No. columns will not be supplied.
- P. W. Board Ass'y will not be supplied, but those which are filled with the Parts No. in the Parts No. columns will be supplied.

ABBREVIATIONS OF RESISTORS, CAPACITORS AND TOLERANCES

RESISTORS		CAPACITORS	
C R	Carbon Resistor	C CAP.	Ceramic Capacitor
F R	Fusible Resistor	E CAP.	Electrolytic Capacitor
P R	Plate Resistor	M CAP.	Mylar Capacitor
V R	Variable Resistor	HV CAP.	High Voltage Capacitor
HV R	High Voltage Resistor	MF CAP.	Metalized Film Capacitor
MF R	Metal Film Resistor	MM CAP.	Metalized Mylar Capacitor
MG R	Metal Glazed Resistor	MP CAP.	Metalized Polystyrol Capacitor
MP R	Metal Plate Resistor	PP CAP.	Polypropylene Capacitor
OM R	Metal Oxide Film Resistor	PS CAP.	Polystyrol Capacitor
CMF R	Coating Metal Film Resistor	TF CAP.	Thin Film Capacitor
UNF R	Non-Flammable Resistor	MPP CAP.	Metalized Polypropylene Capacitor
CH V R	Chip Variable Resistor	TAN. CAP.	Tantalum Capacitor
CH MG R	Chip Metal Glazed Resistor	CH C CAP.	Chip Ceramic Capacitor
COMP. R	Composition Resistor	BP E CAP.	Bi-Polar Electrolytic Capacitor
LPTC R	Linear Positive Temperature Coefficient Resistor	CH AL E CAP.	Chip Aluminum Electrolytic Capacitor
NETW R	Network Resistor	CH AL BP CAP.	Chip Aluminum Bi-Polar Capacitor
		CH TAN. E CAP.	Chip Tantalum Electrolytic Capacitor

TOLERANCES									
F	G	J	K	M	N	R	H	Z	P
±1%	±2%	±5%	±10%	±20%	±30%	+30%	+50%	+80%	+100%
						-10%	-10%	-20%	-0%

CONTENTS

■ P.W. BOARDS	28
■ EXPLODED VIEW PARTS LIST	28
■ EXPLODED VIEW	29
■ PRINTED WIRING BOARD PARTS LIST	
● MAIN PW BOARD ASS'Y	30
■ PACKING / PACKING PARTS LIST	35
■ REMOTE CONTROL UNIT PARTS LIST	35

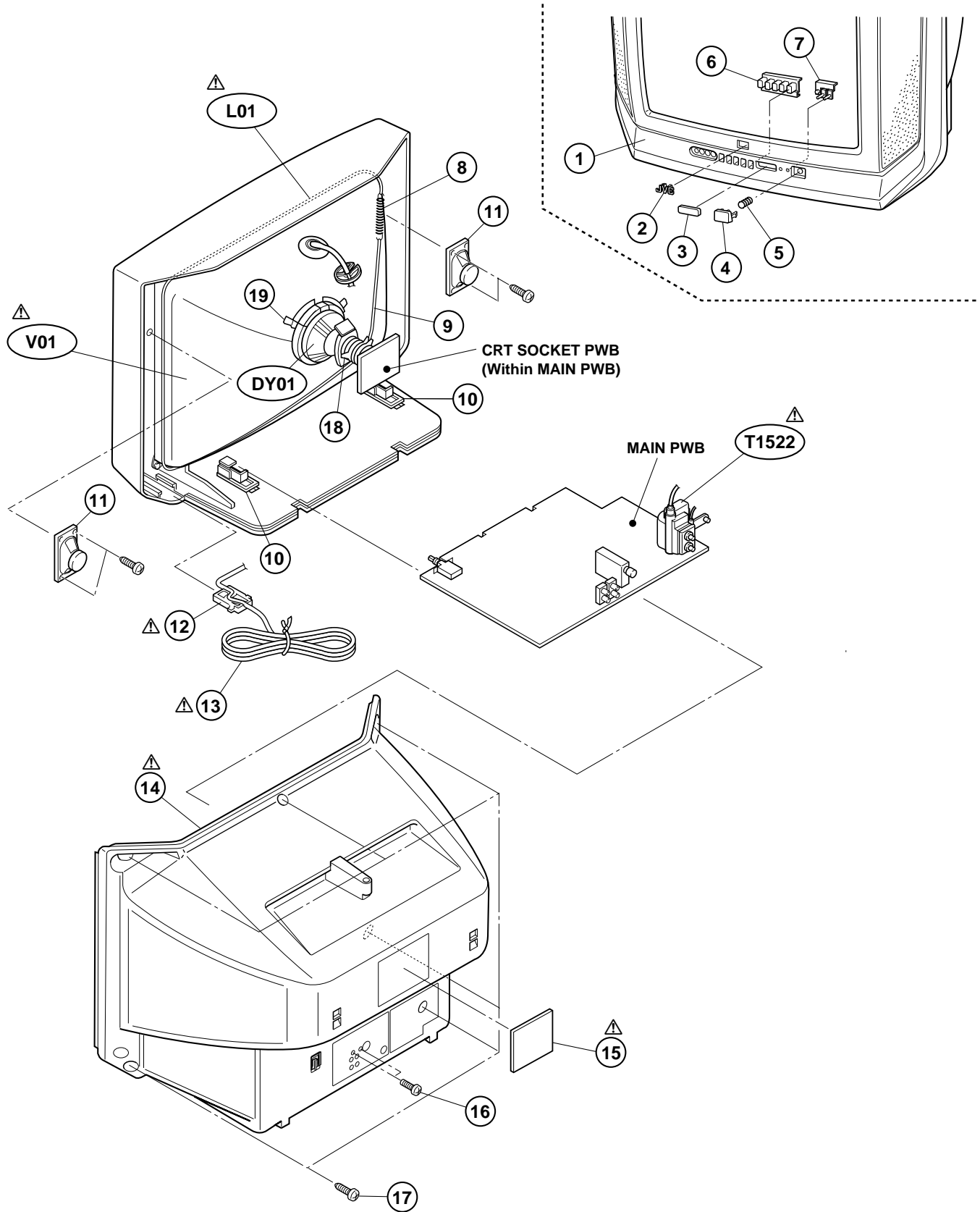
P.W. BOARDS

P.W.B. ASS'Y	PART NO.
MAIN P.W.B.	SGA-1047A-H2

EXPLODED VIEW PARTS LIST

△ Ref.No.	Part No.	Part Name	Description	Local
△ V01	A51LEC065X	PICTURE TUBE		
△ L01	QQW0006-001	DEG COIL		
	DY01	DEFLECTION YOKE		
△ T1522	QQH0030-002	H.V. TRANSF.		
1	LC10394-031A-HK	FRONT CABINET		
2	CM48006-007-C	JVC MARK		
3	LC30617-001C-H	E.E. WINDOW		
4	LC30616-004A-H	POWER KNOB		
5	CM35235-006-H	SPRING		
6	LC20292-004A-H	CONTROL KNOB		
7	LC30618-001A-H	LED LENS		
8	A48457-4-S	SPRING		
9	CHGB0016-0B-GS	BRAIDED ASSY		
10	CM36623-B01-H	CHASSIS RAIL	(x2)	
11	QAS0036-001	SPEAKER	(x2) SP01	
△ 12	CM47005-A01-H	CORD CLAMP		
△ 13	QMPR010-200-E2	POWER CORD	or QMPR010-200-K2	
△ 14	LC10448-003A-HK	REAR COVER		
△ 15	GG20003-006A-H	RATING LABEL		
16	QYSBSF3010Z	TAPPING SCREW	(x2)	
17	QYSBSFG4016Z	TAPPING SCREW	(x6)	
18	A75034-B	PC MAGNET		
19	CE40764-00A	WEDGE ASSY	(x3)	

EXPLODED VIEW



PRINTED WIRING BOARD PARTS LIST

MAIN P.W. BOARD ASS'Y (SGA-1047A-H2)

Symbol No.	Part No.	Part Name	Description	Local
RESISTOR				
R1001	NRSA02J-563X	CH MG R	56kΩ 1/10W	J
R1003	NRSA02J-0ROX	CH MG R	0.0Ω 1/10W	J
R1004	NRSA02J-0ROX	CH MG R	0.0Ω 1/10W	J
R1005	QRT029J-4R7	MF R	4.7Ω 2W	J
R1006	NRSA02J-820X	CH MG R	82Ω 1/10W	J
R1101	NRSA02J-562X	CH MG R	5.6kΩ 1/10W	J
R1102	NRSA02J-182X	CH MG R	1.8kΩ 1/10W	J
R1103	QRE121J-101Y	C R	100Ω 1/2W	J
R1104	NRSA02J-100X	CH MG R	10Ω 1/10W	J
R1105	NRSA02J-270X	CH MG R	27Ω 1/10W	J
R1111	NRSA02J-394X	CH MG R	390kΩ 1/10W	J
R1112	NRSA02J-334X	CH MG R	330kΩ 1/10W	J
R1113	NRSA02J-101X	CH MG R	100Ω 1/10W	J
R1116	NRSA02J-151X	CH MG R	150Ω 1/10W	J
R1131	NRSA02J-102X	CH MG R	1kΩ 1/10W	J
R1132	NRSA02J-331X	CH MG R	330Ω 1/10W	J
R1133	NRSA02J-102X	CH MG R	1kΩ 1/10W	J
R1134	NRSA02J-271X	CH MG R	270Ω 1/10W	J
R1135	NRSA02J-471X	CH MG R	470Ω 1/10W	J
R1161	NRSA02J-182X	CH MG R	1.8kΩ 1/10W	J
R1162	NRSA02J-332X	CH MG R	3.3kΩ 1/10W	J
R1163	NRSA02J-103X	CH MG R	10kΩ 1/10W	J
R1164	NRSA02J-102X	CH MG R	1kΩ 1/10W	J
R1165	NRSA02J-273X	CH MG R	27kΩ 1/10W	J
R1166	NRSA02J-103X	CH MG R	10kΩ 1/10W	J
R1167	NRSA02J-102X	CH MG R	1kΩ 1/10W	J
R1168	NRSA02J-101X	CH MG R	100Ω 1/10W	J
R1169	NRSA02J-561X	CH MG R	560Ω 1/10W	J
R1170	NRSA02J-123X	CH MG R	12kΩ 1/10W	J
R1171	NRSA02J-153X	CH MG R	15kΩ 1/10W	J
R1201	NRSA02J-821X	CH MG R	820Ω 1/10W	J
R1202	NRSA02J-102X	CH MG R	1kΩ 1/10W	J
R1203	NRSA02J-821X	CH MG R	820Ω 1/10W	J
R1204	NRSA02J-681X	CH MG R	680Ω 1/10W	J
R1205	NRSA02J-152X	CH MG R	1.5kΩ 1/10W	J
R1213	NRSA02J-391X	CH MG R	390Ω 1/10W	J
R1215	NRSA02J-824X	CH MG R	820kΩ 1/10W	J
R1216	NRSA02J-0ROX	CH MG R	0.0Ω 1/10W	J
R1217	NRSA02J-684X	CH MG R	680kΩ 1/10W	J
R1220	NRSA02J-0ROX	CH MG R	0.0Ω 1/10W	J
R1251	NRSA02J-750X	CH MG R	75Ω 1/10W	J
R1253	NRSA02J-680X	CH MG R	68Ω 1/10W	J
R1254	QRE121J-101Y	C R	100Ω 1/2W	J
R1255	NRSA02J-101X	CH MG R	100Ω 1/10W	J
R1301	NRSA02J-102X	CH MG R	1kΩ 1/10W	J
R1303	NRSA02J-223X	CH MG R	22kΩ 1/10W	J
R1304	NRSA02J-223X	CH MG R	22kΩ 1/10W	J
R1307	NRSA02J-103X	CH MG R	10kΩ 1/10W	J
R1308	NRSA02J-472X	CH MG R	4.7kΩ 1/10W	J
R1309	NRSA02J-103X	CH MG R	10kΩ 1/10W	J
R1311	NRSA02J-273X	CH MG R	27kΩ 1/10W	J
R1312	NRSA02J-0ROX	CH MG R	0.0Ω 1/10W	J
R1314	NRSA02J-0ROX	CH MG R	0.0Ω 1/10W	J
R1341	NRSA02J-121X	CH MG R	120Ω 1/10W	J
R1342	NRSA02J-333X	CH MG R	33kΩ 1/10W	J
R1343	NRSA02J-333X	CH MG R	33kΩ 1/10W	J
R1351	NRSA02J-151X	CH MG R	150Ω 1/10W	J
R1352	NRSA02J-151X	CH MG R	150Ω 1/10W	J
R1353	NRSA02J-151X	CH MG R	150Ω 1/10W	J
R1354	NRSA02J-331X	CH MG R	330Ω 1/10W	J
R1355	NRSA02J-331X	CH MG R	330Ω 1/10W	J
R1356	NRSA02J-331X	CH MG R	330Ω 1/10W	J
R1357	NRSA02J-101X	CH MG R	100Ω 1/10W	J
R1358	NRSA02J-101X	CH MG R	100Ω 1/10W	J
R1359	NRSA02J-101X	CH MG R	100Ω 1/10W	J
R1360	QRZ0107-152Z	C R	1.5kΩ 1/2W	K
R1361	QRZ0107-152Z	C R	1.5kΩ 1/2W	K
R1362	QRZ0107-152Z	C R	1.5kΩ 1/2W	K
R1363	QRL029J-123	OM R	12kΩ 2W	J
R1364	QRL029J-123	OM R	12kΩ 2W	J
R1365	QRL029J-123	OM R	12kΩ 2W	J
R1366	NRSA02J-272X	CH MG R	2.7kΩ 1/10W	J
R1367	NRSA02J-272X	CH MG R	2.7kΩ 1/10W	J

Symbol No.	Part No.	Part Name	Description	Local
RESISTOR				
R1368	NRSA02J-272X	CH MG R	2.7kΩ 1/10W	J
R1401	NRSA02J-103X	CH MG R	10kΩ 1/10W	J
R1402	NRSA02J-682X	CH MG R	6.8kΩ 1/10W	J
R1403	NRSA02J-0ROX	CH MG R	0.0Ω 1/10W	J
R1404	NRSA02J-102X	CH MG R	1kΩ 1/10W	J
R1405	NRSA02J-221X	CH MG R	220Ω 1/10W	J
R1406	NRSA02J-472X	CH MG R	4.7kΩ 1/10W	J
R1407	NRSA02J-472X	CH MG R	4.7kΩ 1/10W	J
R1408	NRSA02J-472X	CH MG R	4.7kΩ 1/10W	J
R1410	NRSA02J-0ROX	CH MG R	0.0Ω 1/10W	J
R1413	QRE121J-391Y	C R	390Ω 1/2W	J
R1414	QRX01GJ-1R2	MF R	1.2Ω 1W	J
R1416	NRSA02J-563X	CH MG R	56kΩ 1/10W	J
R1418	NRSA02J-563X	CH MG R	56kΩ 1/10W	J
R1419	NRSA02J-223X	CH MG R	22kΩ 1/10W	J
R1421	NRSA02J-0ROX	CH MG R	0.0Ω 1/10W	J
R1422	NRSA02J-0ROX	CH MG R	0.0Ω 1/10W	J
R1423	NRSA02J-103X	CH MG R	10kΩ 1/10W	J
R1501	NRSA02J-0ROX	CH MG R	0.0Ω 1/10W	J
R1503	NRSA02J-103X	CH MG R	10kΩ 1/10W	J
R1504	NRSA02J-104X	CH MG R	100kΩ 1/10W	J
R1505	NRSA02J-822X	CH MG R	8.2kΩ 1/10W	J
R1506	NRSA02J-102X	CH MG R	1kΩ 1/10W	J
R1510	NRSA02J-0ROX	CH MG R	0.0Ω 1/10W	J
R1512	NRSA02J-103X	CH MG R	10kΩ 1/10W	J
R1513	NRSA02J-0ROX	CH MG R	0.0Ω 1/10W	J
R1514	NRSA02J-333X	CH MG R	33kΩ 1/10W	J
R1521	QRL039J-562	OM R	5.6kΩ 3W	J
R1523	NRSA02J-222X	CH MG R	2.2kΩ 1/10W	J
R1524	QRE121J-103Y	C R	10kΩ 1/2W	J
R1526	QRL029J-152	OM R	1.5kΩ 2W	J
R1529	NRSA02J-621X	CH MG R	620Ω 1/10W	J
R1532	QRL039J-472	OM R	4.7kΩ 3W	J
R1533	QRE121J-220Y	C R	22Ω 1/2W	J
R1543	QRT039J-R47	MF R	0.47Ω 3W	J
R1544	QRL039J-223	OM R	22kΩ 3W	J
R1562	QRA14CF-6801Y	MF R	6.8kΩ 1/4W	F
R1563	QRA14CF-3741Y	MF R	3.74kΩ 1/4W	F
R1581	QRE121J-273Y	C R	27kΩ 1/2W	J
R1582	QRE121J-393Y	C R	39kΩ 1/2W	J
R1584	QRE121J-223Y	C R	22kΩ 1/2W	J
R1601	QRE121J-1R0Y	C R	1.0kΩ 1/2W	J
R1605	NRSA02J-473X	CH MG R	47kΩ 1/10W	J
R1606	NRSA02J-103X	CH MG R	10kΩ 1/10W	J
R1607	NRSA02J-471X	CH MG R	470Ω 1/10W	J
R1608	NRSA02J-562X	CH MG R	5.6kΩ 1/10W	J
R1609	QRE121J-271Y	C R	270Ω 1/2W	J
R1610	QRE121J-271Y	C R	270Ω 1/2W	J
R1613	QRE121J-152Y	C R	1.5kΩ 1/2W	J
R1614	QRE121J-332Y	C R	3.3kΩ 1/2W	J
R1615	NRSA02J-103X	CH MG R	10kΩ 1/10W	J
R1616	NRSA02J-103X	CH MG R	10kΩ 1/10W	J
R1617	NRSA02J-103X	CH MG R	10kΩ 1/10W	J
R1618	NRSA02J-103X	CH MG R	10kΩ 1/10W	J
R1619	NRSA02J-221X	CH MG R	220Ω 1/10W	J
R1651	NRSA02J-102X	CH MG R	1kΩ 1/10W	J
R1653	QRE121J-181Y	C R	180Ω 1/2W	J
R1654	NRSA02J-821X	CH MG R	820Ω 1/10W	J
R1655	NRSA02J-472X	CH MG R	4.7kΩ 1/10W	J
R1656	NRSA02J-102X	CH MG R	1kΩ 1/10W	J
R1701	NRSA02J-563X	CH MG R	56kΩ 1/10W	J
R1702	NRSA02J-223X	CH MG R	22kΩ 1/10W	J
R1703	NRSA02J-0ROX	CH MG R	0.0Ω 1/10W	J
R1704	NRSA02J-103X	CH MG R	10kΩ 1/10W	J
R1705	NRSA02J-102X	CH MG R	1kΩ 1/10W	J
R1706	NRSA02J-823X	CH MG R	82kΩ 1/10W	J
R1707	NRSA02J-103X	CH MG R	10kΩ 1/10W	J
R1708	NRSA02J-0ROX	CH MG R	0.0Ω 1/10W	J
R1709	NRSA02J-103X	CH MG R	10kΩ 1/10W	J
R1710	NRSA02J-102X	CH MG R	1kΩ 1/10W	J
R1711	NRSA02J-103X	CH MG R	10kΩ 1/10W	J
R1712	NRSA02J-0ROX	CH MG R	0.0Ω 1/10W	J
R1713	NRSA02J-103X	CH MG R	10kΩ 1/10W	J

Symbol No.	Part No.	Part Name	Description	Local
RESISTOR				
R1714	NRSA02J-0R0X	CH MG R	0.0Ω 1/10W J	
R1715	NRSA02J-472X	CH MG R	4.7kΩ 1/10W J	
R1716	NRSA02J-0R0X	CH MG R	0.0Ω 1/10W J	
R1717	NRSA02J-472X	CH MG R	4.7kΩ 1/10W J	
R1718	NRSA02J-0R0X	CH MG R	0.0Ω 1/10W J	
R1719	NRSA02J-473X	CH MG R	47kΩ 1/10W J	
R1720	NRSA02J-683X	CH MG R	68kΩ 1/10W J	
R1721	NRSA02J-473X	CH MG R	47kΩ 1/10W J	
R1722	NRSA02J-103X	CH MG R	10kΩ 1/10W J	
R1723	NRSA02J-183X	CH MG R	18kΩ 1/10W J	
R1724	NRSA02J-103X	CH MG R	10kΩ 1/10W J	
R1725	NRSA02J-102X	CH MG R	1kΩ 1/10W J	
R1726	NRSA02J-0R0X	CH MG R	0.0Ω 1/10W J	
R1727	NRSA02J-103X	CH MG R	10kΩ 1/10W J	
R1728	NRSA02J-102X	CH MG R	1kΩ 1/10W J	
R1729	NRSA02J-105X	CH MG R	1MΩ 1/10W J	
R1732	NRSA02J-102X	CH MG R	1kΩ 1/10W J	
R1733	NRSA02J-333X	CH MG R	33kΩ 1/10W J	
R1734	NRSA02J-102X	CH MG R	1kΩ 1/10W J	
R1735	NRSA02J-102X	CH MG R	1kΩ 1/10W J	
R1736	NRSA02J-124X	CH MG R	120kΩ 1/10W J	
R1737	NRSA02J-184X	CH MG R	180kΩ 1/10W J	
R1738	NRSA02J-102X	CH MG R	1kΩ 1/10W J	
R1740	NRSA02J-472X	CH MG R	4.7kΩ 1/10W J	
R1741	NRSA02J-102X	CH MG R	1kΩ 1/10W J	
R1742	NRSA02J-472X	CH MG R	4.7kΩ 1/10W J	
R1743	NRSA02J-223X	CH MG R	22kΩ 1/10W J	
R1744	NRSA02J-103X	CH MG R	10kΩ 1/10W J	
R1745	NRSA02J-153X	CH MG R	15kΩ 1/10W J	
R1746	NRSA02J-103X	CH MG R	10kΩ 1/10W J	
R1747	NRSA02J-153X	CH MG R	15kΩ 1/10W J	
R1748	NRSA02J-103X	CH MG R	10kΩ 1/10W J	
R1749	NRSA02J-153X	CH MG R	15kΩ 1/10W J	
R1750	NRSA02J-561X	CH MG R	560Ω 1/10W J	
R1751	NRSA02J-561X	CH MG R	560Ω 1/10W J	
R1752	NRSA02J-103X	CH MG R	10kΩ 1/10W J	
R1753	NRSA02J-103X	CH MG R	10kΩ 1/10W J	
R1754	NRSA02J-562X	CH MG R	5.6kΩ 1/10W J	
R1755	NRSA02J-103X	CH MG R	10kΩ 1/10W J	
R1756	NRSA02J-103X	CH MG R	10kΩ 1/10W J	
R1757	NRSA02J-562X	CH MG R	5.6kΩ 1/10W J	
R1758	NRSA02J-223X	CH MG R	22kΩ 1/10W J	
R1759	NRSA02J-103X	CH MG R	10kΩ 1/10W J	
R1765	NRSA02J-122X	CH MG R	1.2kΩ 1/10W J	
R1766	NRSA02J-102X	CH MG R	1kΩ 1/10W J	
R1771	NRSA02J-221X	CH MG R	220Ω 1/10W J	
R1772	NRSA02J-221X	CH MG R	220Ω 1/10W J	
R1781	NRSA02J-681X	CH MG R	680Ω 1/10W J	
R1782	NRSA02J-681X	CH MG R	680Ω 1/10W J	
R1783	NRSA02J-221X	CH MG R	220Ω 1/10W J	
R1784	NRSA02J-221X	CH MG R	220Ω 1/10W J	
R1801	NRSA02J-221X	CH MG R	220Ω 1/10W J	
R1802	NRSA02J-221X	CH MG R	220Ω 1/10W J	
R1803	NRSA02J-221X	CH MG R	220Ω 1/10W J	
R1811	NRSA02J-0R0X	CH MG R	0.0Ω 1/10W J	
R1812	NRSA02J-0R0X	CH MG R	0.0Ω 1/10W J	
R1813	NRSA02J-0R0X	CH MG R	0.0Ω 1/10W J	
R1815	NRSA02J-0R0X	CH MG R	0.0Ω 1/10W J	
R1816	NRSA02J-103X	CH MG R	10kΩ 1/10W J	
R1901	QRF104K-3R9	UNF R	3.9Ω 10W K	
R1902	QRL039J-393	OM R	39kΩ 3W J	
R1910	QRE121J-564Y	C R	560KΩ 1/2W J	
R1911	QRE121J-183Y	C R	18kΩ 1/2W J	
R1921	QRE121J-681Y	C R	680Ω 1/2W J	
R1922	QRM059J-R22	MP R	0.22Ω 5W J	
R1923	QRT029J-R39	MF R	039Ω 2W J	
R1924	QRE121J-103Y	C R	10kΩ 1/2W J	
R1925	QRE121J-102Y	C R	1kΩ 1/2W J	
R1926	QRE121J-152Y	C R	1.5kΩ 1/2W J	
R1929	QRE121J-332Y	C R	3.3kΩ 1/2W J	
R1932	QRE121J-4R7Y	C R	4.7Ω 1/2W J	
R1942	NRSA02J-223X	CH MG R	22kΩ 1/10W J	
R1943	QRE121J-152Y	C R	1.5kΩ 1/2W J	
R1944	NRSA02J-103X	CH MG R	10kΩ 1/10W J	
R1945	NRSA02J-332X	CH MG R	3.3kΩ 1/10W J	

Symbol No.	Part No.	Part Name	Description	Local
RESISTOR				
R1946	NRSA02J-123X	CH MG R	12kΩ 1/10W J	
R1947	QRE121J-470Y	C R	47Ω 1/2W J	
R1948	NRSA02J-152X	CH MG R	1.5kΩ 1/10W J	
R1949	NRSA02J-153X	CH MG R	15kΩ 1/10W J	
R1950	NRSA02J-103X	CH MG R	10kΩ 1/10W J	
R1951	NRSA02J-332X	CH MG R	3.3kΩ 1/10W J	
R1952	NRSA02J-472X	CH MG R	4.7kΩ 1/10W J	
R1959	NRSA02J-0R0X	CH MG R	0.0Ω 1/10W J	
R1961	QRT029J-1R8	MF R	1.8Ω 2W J	
R1962	QRT029J-1R8	MF R	1.8Ω 2W J	
R1964	QRE121J-272Y	C R	2.7kΩ 1/2W J	
R1965	QRE121J-473Y	C R	47kΩ 1/2W J	
R1966	NRSA02J-223X	CH MG R	22kΩ 1/10W J	
R1981	QRZ0057-825	C R	8.2MΩ 1W J	

CAPACITOR

C1001	QETN1HM-106Z	E CAP.	10μF 50V M
C1007	QETN1CM-477Z	E CAP.	470μF 16V M
C1008	QETN1EM-476Z	E CAP.	47μF 25V M
C1009	QETN1EM-476Z	E CAP.	47μF 25V M
C1011	NCB21HK-103X	CH C CAP.	0.01μF 50V K
C1101	NCB21HK-103X	CH C CAP.	0.01μF 50V K
C1102	NCB21HK-103X	CH C CAP.	0.01μF 50V K
C1103	NDC21HJ-680X	CH C CAP.	68pF 50V J
C1104	NCB21HK-103X	CH C CAP.	0.01μF 50V K
C1105	NCB21HK-103X	CH C CAP.	0.01μF 50V K
C1111	QETN1EM-476Z	E CAP.	47μF 25V M
C1112	NCB21HK-103X	CH C CAP.	0.01μF 50V K
C1113	NCB21HK-103X	CH C CAP.	0.01μF 50V K
C1114	NCB21HK-103X	CH C CAP.	0.01μF 50V K
C1116	QFV71HJ-224Z	TF CAP.	0.22μF 50V J
C1117	QETN1EM-476Z	E CAP.	47μF 25V M
C1118	NCB21HK-103X	CH C CAP.	0.01μF 50V K
C1119	NDC21HJ-681X	CH C CAP.	680pF 50V J
C1120	QETN1HM-225Z	E CAP.	2.2μF 50V M
C1123	NCB21HK-103X	CH C CAP.	0.01μF 50V K
C1124	NCB21HK-103X	CH C CAP.	0.01μF 50V K
C1161	QETN1HM-106Z	E CAP.	10μF 50V M
C1162	NCB21HK-333X	CH C CAP.	0.033μF 50V K
C1163	NDC21HJ-470X	CH C CAP.	47pF 50V J
C1164	NDC21HJ-470X	CH C CAP.	47pF 50V J
C1165	NCB21HK-103X	CH C CAP.	0.01μF 50V K
C1166	NCB21HK-103X	CH C CAP.	0.01μF 50V K
C1202	QETN1CM-107Z	E CAP.	100μF 16V M
C1207	NCB21HK-104X	CH C CAP.	0.1μF 50V K
C1208	QETN1HM-475Z	E CAP.	4.7μF 50V M
C1209	QETN1CM-227Z	E CAP.	220μF 16V M
C1210	NCB21HK-103X	CH C CAP.	0.01μF 50V K
C1211	NDC21HJ-681X	CH C CAP.	680pF 50V J
C1212	NCB21HK-104X	CH C CAP.	0.1μF 50V K
C1213	QETN1HM-105Z	E CAP.	1μF 50V M
C1214	NCB21HK-104X	CH C CAP.	0.1μF 50V K
C1215	QETN1HM-106Z	E CAP.	10μF 50V M
C1251	QETN1HM-106Z	E CAP.	10μF 50V M
C1252	QETN1HM-106Z	E CAP.	10μF 50V M
C1254	QETN1CM-477Z	E CAP.	470μF 16V M
C1256	QETN1CM-107Z	E CAP.	100μF 16V M
C1258	QETN1CM-227Z	E CAP.	220μF 16V M
C1291	QETN1CM-107Z	E CAP.	100μF 16V M
C1292	QETN1CM-107Z	E CAP.	100μF 16V M
C1294	QETN1CM-107Z	E CAP.	100μF 16V M
C1296	QETN1CM-107Z	E CAP.	100μF 16V M
C1301	NDC21HJ-150X	CH C CAP.	15pF 50V J
C1302	NDC21HJ-150X	CH C CAP.	15pF 50V J
C1303	NDC21HJ-120X	CH C CAP.	12pF 50V J
C1304	NCB21HK-103X	CH C CAP.	0.01μF 50V K
C1305	NDC21HJ-120X	CH C CAP.	12pF 50V J
C1306	QETN1EM-476Z	E CAP.	47μF 25V M
C1307	NCB21HK-103X	CH C CAP.	0.01μF 50V K
C1308	NCB21HK-104X	CH C CAP.	0.1μF 50V K
C1309	NCB21HK-104X	CH C CAP.	0.1μF 50V K
C1311	QETN1HM-225Z	E CAP.	2.2μF 50V M
C1312	NCB21HK-103X	CH C CAP.	0.01μF 50V K
C1313	QETN1HM-475Z	E CAP.	4.7μF 50V M

Symbol No.	Part No.	Part Name	Description	Local
CAPACITOR				
C1342	QETN1HM-335Z	E CAP.	3.3μF 50V	M
C1354	NDC21HJ-271X	CH C CAP.	270pF 50V	J
C1355	NDC21HJ-271X	CH C CAP.	270pF 50V	J
C1356	NDC21HJ-331X	CH C CAP.	330pF 50V	J
C1357	QETN1CM-107Z	E CAP.	100μF 16V	M
C1382	QCZ0121-102	C CAP.	1000pF 3kV	Z
C1401	QETN1HM-105Z	E CAP.	1μF 50V	M
C1402	QETN1HM-105Z	E CAP.	1μF 50V	M
C1403	QEM61EK-225Z	E CAP.	2.2μF 25V	K
C1405	QFV71HJ-104Z	TF CAP.	0.1μF 50V	J
C1406	QFLC1HJ-472Z	M CAP.	4700pF 50V	J
C1410	QETN1VM-107Z	E CAP.	100μF 35V	M
C1411	QETN1VM-477Z	E CAP.	470μF 35V	M
C1412	QFLB2AK-154	M CAP.	0.47μF 100V	K
C1413	QETN1EM-108Z	E CAP.	1000pF 25V	M
C1414	QETN1HM-105Z	E CAP.	1μF 50V	M
C1415	QFLC1HJ-152Z	M CAP.	1500pF 50V	J
C1416	NDC21HJ-681X	CH C CAP.	680pF 50V	J
C1501	QETN1CM-107Z	E CAP.	100μF 16V	M
C1503	NCB21HK-103X	CH C CAP.	0.01μF 50V	K
C1505	NCB21HK-103X	CH C CAP.	0.01μF 50V	K
C1506	NCB21HK-103X	CH C CAP.	0.01μF 50V	K
C1507	QETN1HM-105Z	E CAP.	1μF 50V	M
C1511	QETN1HM-106Z	E CAP.	10μF 50V	M
C1521	QCB32HK-151Z	C CAP.	150pF 500V	K
C1522	QCB32HK-331Z	C CAP.	330pF 500V	K
C1523	QETN2CM-105Z	E. CAP	1μF 160V	M
C1524	QFZ0198-78Z	MPP CAP.	7800pF 1.5kVH ±3%	
C1525	QFZ0119-434	MPP CAP.	0.43μF 200V ±3%	
C1526	QEZO203-476	E CAP.	47μF 160V	M
C1541	QETN2EM-106Z	E CAP.	10μF 250V	M
C1543	QETN1VM-477Z	E CAP.	470μF 35V	M
C1546	QETN1CM-227Z	E CAP.	220μF 16V	M
C1547	QETN1CM-227Z	E CAP.	220μF 16V	M
C1561	QETN1VM-107Z	E CAP.	100μF 35V	M
C1581	QFLC1HJ-473Z	M CAP.	0.047μF 50V	J
C1583	QFV71HJ-104Z	TF CAP.	0.1μF 50V	J
C1584	QFLC2AJ-103Z	M CAP.	0.01μF 100V	J
C1601	QENC1HM-105Z	BP E CAP.	1μF 50V	M
C1603	QETN1HM-106Z	E CAP.	10μF 50V	M
C1604	QETN1HM-106Z	E CAP.	10μF 50V	M
C1605	QETN1EM-477Z	E CAP.	470μF 25V	M
C1606	NCB21EK-224X	CH C CAP.	0.22μF 25V	K
C1607	QETN1EM-228	E CAP.	2200μF 25V	M
C1608	QETN1EM-476Z	E CAP.	47μF 25V	M
C1609	QETN1HM-106Z	E CAP.	10μF 50V	M
C1610	QETN1HM-106Z	E CAP.	10μF 50V	M
C1611	NCB21EK-224X	CH C CAP.	0.22μF 25V	K
C1612	QETN1HM-105Z	E CAP.	1μF 50V	M
C1613	QETN1EM-107Z	E CAP.	100μF 25V	M
C1614	QETN1HM-106Z	E CAP.	10μF 50V	M
C1615	QETN1HM-226Z	E CAP.	22μF 50V	M
C1651	NCB21HK-332X	CH C CAP.	3300pF 50V	K
C1652	QENC1CM-106Z	BP E CAP.	10μF 16V	M
C1653	QETN1HM-105Z	E CAP.	1μF 50V	M
C1654	QETN1HM-106Z	E CAP.	10μF 50V	M
C1655	QETN1CM-107Z	E CAP.	100μF 16V	M
C1656	NCB21HK-332X	CH C CAP.	3300pF 50V	K
C1657	QETN1HM-106Z	E CAP.	10μF 50V	M
C1701	NRSA02J-OROX	CH MG R	0.0Ω 1/10W	J
C1703	NRSA02J-OROX	CH MG R	0.0Ω 1/10W	J
C1704	NCB21HK-102X	CH C CAP.	1000pF 50V	K
C1706	QETN1AM-227Z	E CAP.	220μF 10V	M
C1707	NCB21HK-103X	CH C CAP.	0.01μF 50V	K
C1708	QETN1HM-106Z	E CAP.	10μF 50V	M
C1709	QETN1HM-106Z	E CAP.	10μF 50V	M
C1711	NDC21HJ-151X	CH C CAP.	150pF 50V	J
C1712	NCB21HK-104X	CH C CAP.	0.1μF 50V	K
C1713	QETN1HM-105Z	E CAP.	1μF 50V	M
C1714	NDC21HJ-221X	CH C CAP.	220pF 50V	J
C1715	NCB21HK-102X	CH C CAP.	1000pF 50V	K
C1716	QENC1HM-474Z	BP E CAP.	0.47μF 50V	M
C1717	NDC21HJ-180X	CH C CAP.	18pF 50V	J
C1718	NDC21HJ-220X	CH C CAP.	22pF 50V	J
C1719	QETN1CM-107Z	E CAP.	100μF 16V	M

Symbol No.	Part No.	Part Name	Description	Local
CAPACITOR				
C1720	NCB21HK-104X	CH C CAP.	0.1μF 50V	K
C1723	NDC21HJ-151X	CH C CAP.	150pF 50V	J
C1724	QETN1HM-105Z	E CAP.	1μF 50V	M
C1725	NDC21HJ-151X	CH C CAP.	150pF 50V	J
C1727	NCB21HK-103X	CH C CAP.	0.01μF 50V	K
C1733	QETN1EM-476Z	E CAP.	47μF 25V	M
C1734	NCB21HK-104X	CH C CAP.	0.1μF 50V	K
C1735	NCB21HK-103X	CH C CAP.	0.01μF 50V	K
C1736	QETN1CM-107Z	E CAP.	100μF 16V	M
C1738	QETN1EM-476Z	E CAP.	47μF 25V	M
C1742	QETN1HM-225Z	E CAP.	2.2μF 50V	M
C1765	NDC21HJ-101X	CH C CAP.	100pF 50V	J
C1771	QETN1EM-476Z	E CAP.	47μF 25V	M
C1772	NCB21HK-103X	CH C CAP.	0.01μF 50V	K
C1805	QETN1CM-227Z	E CAP.	220μF 16V	M
C1806	NCB21HK-103X	CH C CAP.	0.01μF 50V	K
C1811	NCB21HK-103X	CH C CAP.	0.01μF 50V	K
C1812	NCB21HK-103X	CH C CAP.	0.01μF 50V	K
C1813	NCB21HK-103X	CH C CAP.	0.01μF 50V	K
△ C1901	QFZ9040-104	MF CAP.	0.1μF AC275V	M
△ C1902	QFZ9040-104	MF CAP.	0.1μF AC275V	M
C1903	QCZ9086-47Z	C CAP.	4700pF AC400V	P
C1904	QCZ9086-47Z	C CAP.	4700pF AC400V	P
C1905	QCZ9086-47Z	C CAP.	4700pF AC400V	P
C1906	QEZO199-127	E CAP.	120μF 400V	M
C1921	QCZO325-102	C CAP.	1000pF 2kV	K
C1922	QCS31HJ-471Z	C CAP.	470pF 50V	J
C1924	QETN1VM-107Z	E CAP.	100μF 35V	M
C1925	QFLC1HJ-102Z	M CAP.	1000pF 50V	J
C1926	QFLC1HJ-182Z	M CAP.	1800pF 50V	J
C1928	QFV71HJ-104Z	TF CAP.	0.1μF 50V	J
C1931	QCZO122-391	C CAP.	390pF 2kV	K
C1941	QCZO122-471	C CAP.	470pF 2kV	K
C1942	QEZO203-107	E CAP.	100μF 160V	M
C1943	QCB32HK-471Z	C CAP.	470pF 500V	K
C1944	QETN1EM-108Z	E CAP.	1000μF 25V	M
C1945	QETN1EM-227Z	E CAP.	220μF 25V	M
C1946	QETN1EM-107Z	E CAP.	100μF 25V	M
C1947	QETN1HM-106Z	E CAP.	10μF 50V	M
C1952	QETN1EM-228	E CAP.	2200μF 25V	M
C1953	QCZO122-471	C CAP.	470pF 2kV	K
C1957	NDC21HJ-471X	CH C CAP.	470pF 50V	J
C1961	QETN1CM-107Z	E CAP.	100μF 16V	M
C1962	QETN1EM-476Z	E CAP.	47μF 25V	M
△ C1981	QCZ9079-471	C CAP.	470pF AC250V	K
△ C1982	QCZ9079-102	C CAP.	1000pF AC250V	K
△ C1983	QCZ9079-471	C CAP.	470pF AC250V	K
C1984	QETN1VM-337Z	E CAP.	330μF 35V	M
TRANSFORMER				
T1111	CELTO01-209J3	CW TRANSF.		
T1521	CE42034-001	HOR DRIVE TRANSF.		
△ T1921	CETS109-001JK	SW TRANSF.		
COIL				
L1001	QQL03BJ-150Z	COIL	15μH	J
L1003	QQL03BJ-4R7Z	COIL	4.7μH	J
L1101	QQLZ014-R22	COIL	0.22μH	J
L1131	QQL03BJ-150Z	COIL	15μH	J
L1161	QQL03BJ-220Z	COIL	22μH	J
L1205	QQL03BJ-4R7Z	COIL	4.7μH	J
L1301	QQL03BJ-390Z	COIL	39μH	J
L1381	QQL03BJ-390Z	COIL	39μH	J
L1501	QQL03BJ-4R7Z	COIL	4.7μH	J
L1701	QQL03BJ-4R7Z	COIL	4.7μH	J
L1702	QQL03BJ-4R7Z	COIL	4.7μH	J
L1708	QQL03BJ-560Z	COIL	56μH	J
L1771	QQL03BJ-4R7Z	COIL	4.7μH	J
L1941	QQL26AK-820Z	CHOKE COIL	82μH	K
L1942	QQL26AK-820Z	CHOKE COIL	82μH	K

Symbol No.	Part No.	Part Name	Description	Local
------------	----------	-----------	-------------	-------

DIODE

D1001	MTZJ33A-T2	ZENER DIODE		
D1201	1SS133-T2	SI DIODE		
D1202	MTZJ7.5B-T2	ZENER DIODE		
D1253	MTZJ5.6A-T2	ZENER DIODE		
D1254	MTZJ5.6A-T2	ZENER DIODE		
D1255	MTZJ5.6A-T2	ZENER DIODE		
D1256	MTZJ5.6A-T2	ZENER DIODE		
D1341	1SS133-T2	SI DIODE		
D1401	1N4003-T2	SI DIODE		
D1402	MTZJ75-T2	ZENER DIODE		
D1510	1SS133-T2	SI DIODE		
D1541	RH1S-T3	SI DIODE		
D1542	RGP10J-5025-T3	SI DIODE		
D1543	RGP10J-5025-T3	SI DIODE		
D1544	RH1S-T3	SI DIODE		
D1561	1SS81-T2	SI DIODE		
D1562	MTZJ7.5S-T2	ZENER DIODE		
D1581	RGP10J-5025-T3	SI DIODE		
D1582	MTZJ9.1B-T2	ZENER DIODE		
D1601	1SS133-T2	SI DIODE		
D1602	1SS133-T2	SI DIODE		
D1604	MTZJ7.5B-T2	ZENER DIODE		
D1605	1SS133-T2	SI DIODE		
D1651	MTZJ5.6A-T2	ZENER DIODE		
D1652	MTZJ5.6A-T2	ZENER DIODE		
D1657	MTZJ9.1C-T2	ZENER DIODE		
D1701	1SS133-T2	SI DIODE		
D1702	1SS133-T2	SI DIODE		
D1703	1SS133-T2	SI DIODE		
D1704	1SS133-T2	SI DIODE		
D1705	MTZJ5.6A-T2	ZENER DIODE		
D1706	SLR-342VR-T16	LED (RED)		
D1707	SLR-342DU-T16	LED (ORG)		
D1771	MTZJ6.2B-T2	ZENER DIODE		
D1772	MTZJ6.2B-T2	ZENER DIODE		
D1801	MTZJ15B-T2	ZENER DIODE		
D1802	MTZJ15B-T2	ZENER DIODE		
D1803	MTZJ15B-T2	ZENER DIODE		
D1805	MTZJ15B-T2	ZENER DIODE		
D1901	D25BA60	BRIDGE DIODE		
D1903	RGP10J-5025-T3	SI DIODE		
D1905	MTZJ6.8A-T2	ZENER DIODE		
D1921	RGP10J-5025-T3	SI DIODE		
D1922	RGP10J-5025-T3	SI DIODE		
D1923	MTZJ15A-T2	ZENER DIODE		
D1924	1SS133-T2	SI DIODE		
D1927	1SS133-T2	SI DIODE		
D1928	1SS133-T2	SI DIODE		
D1929	MTZJ15A-T2	ZENER DIODE		
D1941	RU3AM-LFC4	SI DIODE		
D1942	RGP10J-5025-T3	SI DIODE		
D1943	1SS133-T2	SI DIODE		
D1945	MTZJ5.6B-T2	ZENER DIODE		
D1948	RGP10J-5025-T3	SI DIODE		
D1961	MTZJ7.5S-T2	ZENER DIODE		
D1962	1SS133-T2	SI DIODE		

TRANSISTOR

Q1101	2SC5083/L-P/-T	SI TRANSISTOR		
Q1111	DTC124EKA-X	DIGI TRANSISTOR		
Q1131	2SC2412K/QR/-X	CHIP TRANSISTOR		
Q1161	2SC2412K/QR/-X	CHIP TRANSISTOR		
Q1201	2SC2412K/QR/-X	CHIP TRANSISTOR		
Q1202	2SC2412K/QR/-X	CHIP TRANSISTOR		
Q1251	2SC1740S/QR/-T	SI TRANSISTOR		
Q1301	2SC2412K/QR/-X	CHIP TRANSISTOR		
Q1302	2SC2412K/QR/-X	CHIP TRANSISTOR		
Q1341	2SC2412K/QR/-X	CHIP TRANSISTOR		
Q1342	2SC2412K/QR/-X	CHIP TRANSISTOR		
Q1351	2SC4544-LB	POWER TRANSISTOR		
Q1352	2SC4544-LB	POWER TRANSISTOR		
Q1353	2SC4544-LB	POWER TRANSISTOR		
Q1401	2SC2412K/QR/-X	CHIP TRANSISTOR		
Q1511	2SC2785/JH/-T	SI TRANSISTOR		

Symbol No.	Part No.	Part Name	Description	Local
------------	----------	-----------	-------------	-------

TRANSISTOR

Q1521	BSN304-T	TRANSISTOR		
Q1522	2SD1878-YD	PW TRANSISTOR	H.OUT	
Q1602	DTC323TK-X	DIGI TRANSISTOR		
Q1603	2SA1037AK/QR/-X	SI TRANSISTOR		
Q1606	2SA1037AK/QR/-X	SI TRANSISTOR		
Q1607	2SC2412K/QR/-X	CHIP TRANSISTOR		
Q1608	2SC2412K/QR/-X	CHIP TRANSISTOR		
Q1651	DTC363TK-X	DIGI TRANSISTOR		
Q1701	2SC2412K/QR/-X	CHIP TRANSISTOR		
Q1702	2SC2412K/QR/-X	CHIP TRANSISTOR		
Q1703	DTC124EKA-X	DIGI TRANSISTOR		
Q1705	DTC124EKA-X	DIGI TRANSISTOR		
Q1761	2SC2412K/QR/-X	CHIP TRANSISTOR		
Q1921	2SA933AS/QR/-T	SI TRANSISTOR		
Q1941	2SA966/OY/-T	SI TRANSISTOR		
Q1942	2SC2412K/QR/-X	CHIP TRANSISTOR		
Q1943	2SC2412K/QR/-X	CHIP TRANSISTOR		
Q1944	2SC2412K/QR/-X	CHIP TRANSISTOR		
Q1961	2SA949/Y/Z1-T	SI TRANSISTOR		

IC

IC1001	AN78L05-T	IC (5V REG)		
IC1101	M523425P	IC		
IC1201	TB1230AN	IC		
IC1251	BA7612N	IC		
IC1291	AN78N05	IC (5V REG)		
IC1292	AN78L09-T	IC (9V REG)		
IC1293	KIA78L05BP-T	IC		
IC1401	LA7840	IC		
IC1541	AN7809F	IC (9V REG)		
IC1601	LA4285	IC		
IC1602	SI-5001X-X	IC		
IC1651	LA7016	IC		
IC1701	M37272MA-0545P	IC (MICROCOMPUTER)		
IC1702	L78LR05E-MA	IC (5V REG/RESET)		
IC1703	GP1U281Q	IC		
IC1704	AT24C02-21F3PX	IC (MEMORY)	(Service)	
IC1921	STR-F6654	SW REG IC		
IC1941	SE135N	IC		

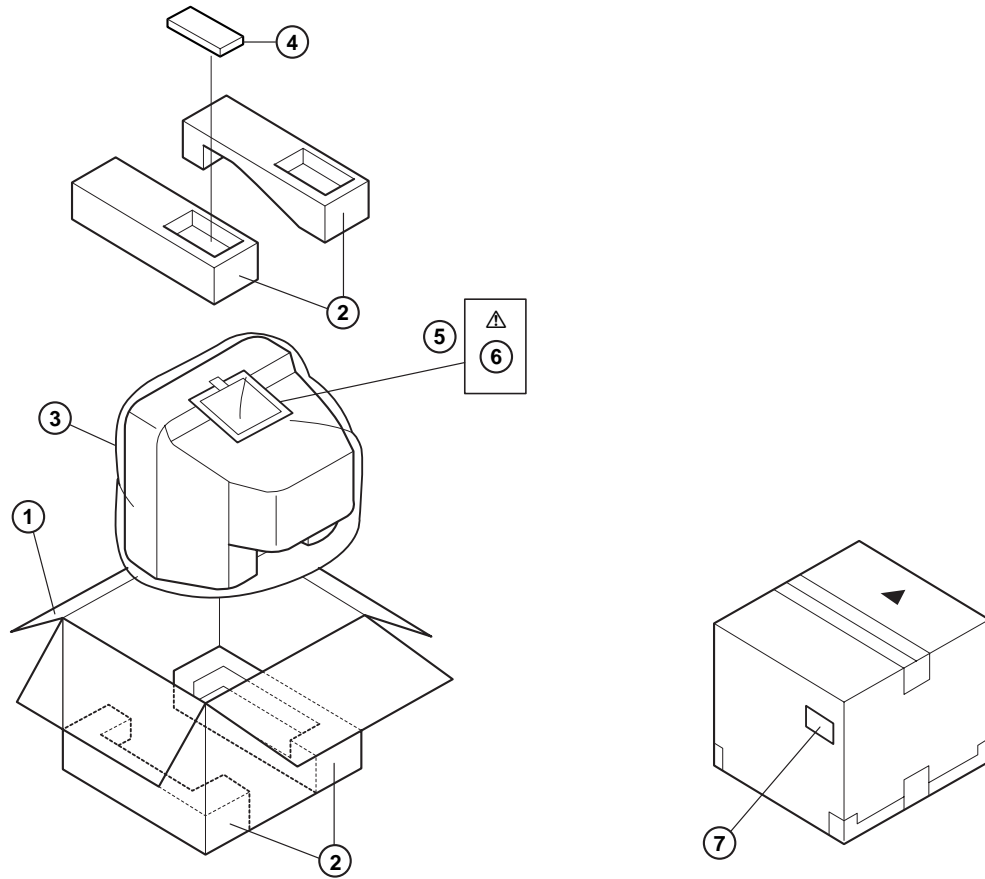
OTHERS

CF1001	LC30114-001C-H	LED HOLDER		
CF1131	FTP47.25MF	CERAMIC TRAP		
CF1161	QAX0339-001	CERAMIC TRAP		
CN100X	SFSH4.5MCB	CERAMIC FILTER		
CN10B1	CH41169-R03Y	EH POST HEADER		
△ CP1941	CH41169-R03Y	EH POST HEADER		
△ CP1942	ICP-N75-Y	IC PROTECTOR		
△ CP1942	ICP-N50-Y	IC PROTECTOR		
EF1301	CE42142-222Z	EMI FILTER		
△ F1901	QMF51E2-3R15J4	FUSE	3.15A	
FC1901	CEMG002-001Z	FUSE CLIP		
FC1902	CEMG002-001Z	FUSE CLIP		
△ FR1542	QRZ9023-1R0	FUSIBLE RESISTOR		
△ FR1561	QRZ9017-4R7	F R	4.7Ω	1/4W J
△ FR1585	QRZ9021-1R5	F R	1.5Ω	1W J
FR1586	QRE121J-332Y	C R	3.3kΩ	1/2W J
△ FR1602	QRZ9023-3R3	FUSIBLE RESISTOR		
△ FR1720	QRZ9017-270	FUSIBLE RESISTOR		
J1001	QNN0348-002	PIN JACK		
J1002	QNN0348-002	PIN JACK		
J1003	CEMN065-001	PIN JACK		
J1004	CEMN065-002	PIN JACK		
J1006	QMS3007-C01	3.5 JACK		
K1401	QQR0621-001Z	BEADS CORE		
K1921	QQR0621-001Z	BEADS CORE		
K1923	QQR0582-001Z	BEADS CORE		
K1941	QQR0621-001Z	BEADS CORE		
K1942	QQR0582-001Z	BEADS CORE		
K1943	QQR0621-001Z	BEADS CORE		
△ LF1901	QQR0673-002	LINE FILTER		
△ PC1921	TLP621(GR)-LF2	IC (PHOTO COUPLER)		

△ Symbol No.	Part No.	Part Name	Description	Local
OTHERS				
S1701	QSW0619-003Z	PUSH SWITCH	VOL+	
S1702	QSW0619-003Z	PUSH SWITCH	VOL-	
S1703	QSW0619-003Z	PUSH SWITCH	CH+	
S1704	QSW0619-003Z	PUSH SWITCH	CH-	
S1705	QSW0619-003Z	PUSH SWITCH	MENU	
△ S1901	QSP4K21-C01	PUSH SWITCH	POWER	
SF1101	QAX0324-002	SAW FILTER		
△ SK1351	CE42535-001J1	CRT SOCKET		
TH1901	QAD0101-9R0	P THERMISTOR		
TU1001	QAU0190-001	TUNER		
△ VA1901	ERZV10V621CS	VARISTOR		
X1301	QAX0305-001Z	X TAL		
X1701	QAX0468-001Z	X TAL		

△ Symbol No.	Part No.	Part Name	Description	Local
--------------	----------	-----------	-------------	-------

PACKING



PACKING PARTS LIST

△ Ref.No.	Part No.	Part Name	Description	Local
1	GG10057-006A	PACKING CASE		
2	LC10516-005A	CUSHION ASSY	4 pcs. in 1 set	
3	CP30967-003-H	POLY BAG		
4	RM-C372-1H	REMOCON UNIT		
5	CP30966-001-H	POLY BAG		
△ 6	LCT0808-001A-H	INST BOOK		
7	CP30902-040(R)	POS/SERIAL LABEL		

REMOTE CONTROL UNIT PARTS LIST (RM-C372-1H)

△ Ref.No.	Part No.	Part Name	Description	Local
	3139 224 20073	BATTERY COVER		